



EQUILIBRIO[®]

FILL

GOOD

PROFESSIONAL
FILLING MACHINE

A new ally for
your artisanal needs!



PINTS



SERVEWARE



SINGLE PORTION

MADE TO FILL & TO DECOR

Equilibrio Fill Good is the perfect tool to increase productivity in your artisanal lab.

The tank can be filled up to **14 liters** (473 oz) and allows to fill **pint** sized containers as well as **serware** and **cups** of a variety of sizes. The device is extremely precise and can dispense small amounts (as little as 15- 20 grams of product) and can also be used to decor by switching the **decorating piping nozzles**.

The innovative technology incorporates a spiral dispensing rod (screw pump) with a hydraulic pusher, an adjustable vent and inverter. These features allow you to customize the filling process based on the product to dispense. Since the device uses an electromechanical system, you have **full control of the flow speed**, as you would with a piping bag.

USE EQUILIBRIO® FILL GOOD



GELATO
AS COLD AS -8°C (18° F)



JAMS



SORBETS



GANACHE AND
CREAMS



SCREW PUMP & THE INVERTER

Also known as Archimedes' screw, the spiral dispensing rod is vastly used. The turning auger, helps the product flow without compressing it, **preserving the product's texture**.

The inverter that controls the pump's speed, guarantees a better handling of **denser mixtures** (like thick creams).

HYDRAULIC PUSHER WITH COMPRESSOR

To help dispense products with **thicker textures** (gelato and some pastry creams), a light plastic piston can be activated. The Piston pump works with a compressed air system, however since the **pressure** used is very **low**, it's not necessary to comply to preassurized device regulations.

ADJUSTABLE VENT

Features a **flow control vent** that can be adjusted to **avoid product waste** and allows **precise dispensing**.



TECHNICAL SPECIFICATIONS

- Tank capacity: 14 LITERS (460 OZ.)



● TWO DISPENSING SETTINGS

1 SCREW PUMP SPEED

can be chosen based on product consistency and allows the dispensing of small amounts.

2 AIR PRESSURE

the adjustable vent allows to control the pressure in the tank.

ADVANTAGES

- Great dispensing control (even when the tank is almost empty).
- Preserve the product's consistency.

SWITCHABLE DECORATING NOZZLES

Help customize the filling, just like you would with a piping bag. The plastic nozzles can be switched just by uncrewing the knobs.

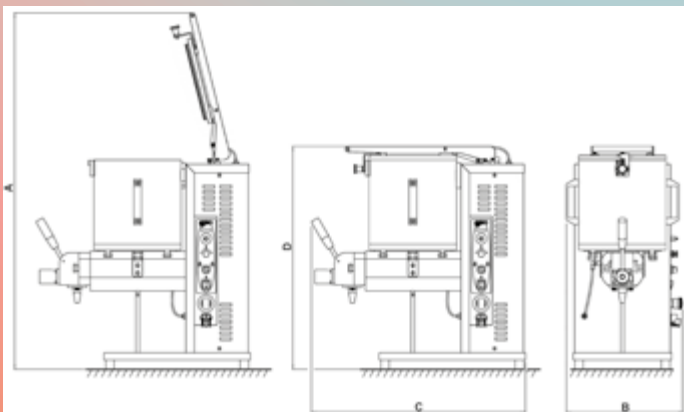


● PEDAL CONTROLLED

● EASY TO CLEAN

All the components are removable to facilitate cleaning.

The screw pump is not removable, but the surfaces can be easily wiped clean with a sponge.



TECHNICAL FEATURES

Max power absorbed	kW	0,5
Voltage	Volt	230/50/1
Volume	Lt.	14
Height (D)	mm.	800
Height - Lid Open (A)	mm.	1270
Width (B)	mm.	420
Depth (C)	mm.	760
Weight	kg	66,5